

50th Anniversary
World Airline Sailing Championships
Newport Sydney Australia
20-24 October 2024



Qantas Sailing Club cordially invites all our sailors and friends to WASC 2024, marking the 50th anniversary of this auspicious event.

The event will be hosted by the Royal Prince Alfred Yacht Club, sailing on Pittwater, an arm of the picturesque waterway of Broken Bay. Pittwater lies amongst the northern beach suburbs of Sydney, 35km north of the CBD. The waterway is fringed on the western shore by Ku-ring-gai National Park and, on the ocean side of the peninsula, drop dead gorgeous beaches from Newport up to Palm Beach.

KEY POINTS

Dates: 20-24 October 2024

Program:	Sunday 20Oct24	Hotel Check-in, Welcome Function at Newport Arms Hotel
	Monday 21Oct	Registration, Briefing, up to 4 races, Lunch, up to 4 races
	Tuesday 22Oct	up to 4 races, Lunch, up to 4 races
	Wednesday 23Oct24	up to 4 races, Lunch, up to 4 races, Presentation Dinner at RPAYC
	Thursday 24Oct24	Hotel Checkout

Cost: Team Fee (yacht charter and race management) \$1050 (AUD) per team.
Individual Fee including Welcome function, 3 lunches and Presentation Dinner \$400 (AUD)
Payment details for the Team Fee and Individual Fee will be advised at a later date.

RPAYC

The Royal Price Alfred Yacht Club is located on the shores of Pittwater. One of Sydney's premier yacht clubs, it offers superb facilities including bar, café, restaurant, changerooms and lawn terrace. A fleet of eight Elliott7 yachts is maintained by the club.

[RPAYC | Sailing Club | NSW Australia](#) (please watch the video)

ACCOMODATION

The Metro Mirage hotel is available just around the bay from RPAYC. It has approximately 40 rooms with a range of styles. From the hotel to the yacht club is a 12 minute waterfront walk, a short drive or a very short swim!

Prices: Newport King \$143.20 pn
King Spa \$159.20 pn
Waterfront Spa \$191.20 pn
Spa Suite \$207.20 pn

Please view the website for room details.

[Metro Mirage Hotel Newport | Northern Beaches Waterfront Hote \(metrohotels.com.au\)](#)

Booking: At this time, bookings should be made by team member via phone or email;

Phone: Tuesday, Wednesday or Thursday, Office hours AEST
Carolyn Punshon +61 2 8397 6646

Email: mirageevents@metrohg.com Attn: Carolyn Punshon

Advise: QANTAS

Name

Your email address

dates required (additional days are available at the special rate but higher price for Fri/ Sat

Room type and number

contact phone number

valid credit card details (name on card, card number, expiry date and CVV number)

Carolyn has advised that this email goes directly to her and is not handled or seen by any other staff. Credit card details are required only for confirmation and no charge will be made. A full refund is available until 10 days prior to the event.

TRANSPORT

Newport is located 35km to the north of Sydney CBD. Hire car is the easiest option for transport. Public bus is also available from the CBD taking around 1hr15min with the stop 90 meters from the hotel.

LOCAL AREA ACTIVITIES

The Newport Arms, a landmark pub in Sydney, is right across the road from the hotel and offers a great wining and dining experience, overlooking the waterway.

[The Newport | Restaurants, Bars & Pub | Sydney | Merivale](#)

Aside from the stunning sailing, the area offers great beaches, walks in the national park (local ferries provide access), cafes and restaurants.

[Pittwater - Kayaking, walking & restaurants | Sydney.com](#)

YACHTS

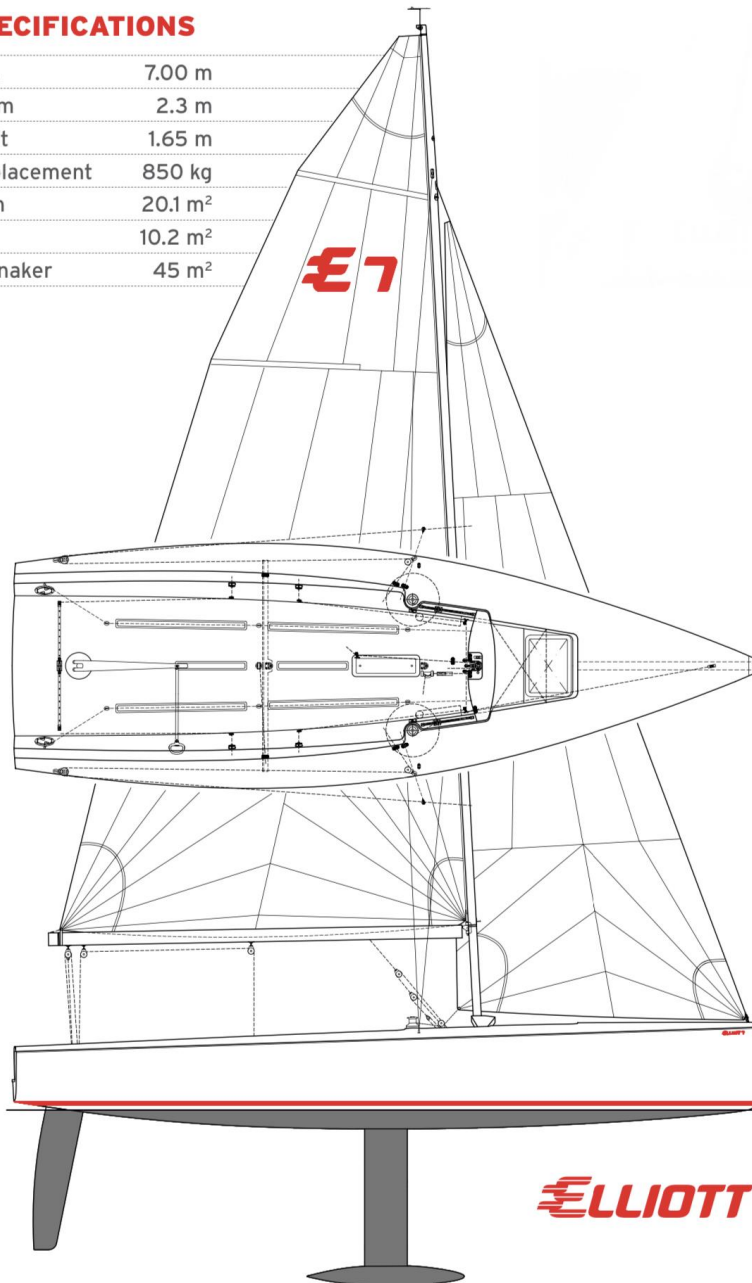
Elliott7 Class [Elliott 7 | Elliott Marine \(elliott-marine.com\)](http://elliott-marine.com)

Crew: 4-5

Symmetric or Asymmetric Spinnaker TBA

SPECIFICATIONS

LOA	7.00 m
Beam	2.3 m
Draft	1.65 m
Displacement	850 kg
Main	20.1 m ²
Jib	10.2 m ²
Gennaker	45 m ²



Looking forward to seeing you in October.

Adrian France

QSC

20/4/24